

# MCP-M

## Motorola Communication Processor for MODBUS

*The MCP-M is designed to provide an efficient method of communications between Motorola's MOSCAD RTUs and a variety of SCADA host computer applications.*



## FEATURES

### The Front-End

The MCP-M functions as interface between the SCADA host computer and the field RTUs. It contains a runtime database that correlates to selected data tables defined in the field RTUs. The runtime database is updated by an included scheduler engine that periodically polls the RTUs or is updated by direct data bursts initiated by the field RTUs.

► *Current field data is held in the MCP-M, ready for instant accessibility by the host computer. The MCP-M manages the over-radio data activity thereby freeing the SCADA software and the host computer from this task.*

.....

### Available Services

The SCADA software in the host computer has complete control over the operation of the MCP-M, including:

- Immediate update of an RTU,
- Sending setcall (broadcast) messages,
- Sending of time sync messages to all RTUs,
- Enable/disable schedule engine,
- Enable/disable/force any defined schedule,
- more.

► *A separate data terminal and specialized operator training is not required to use the MCP-M. The SCADA operator or supervisor may make appropriate functional changes from the SCADA terminal according to need and their SCADA logon permission level.*

.....

### SCADA Communications

The SCADA software in the host computer communicates with the MCP-M via the MODBUS Binary protocol. Data is available from the runtime database and may include RTU communications statistics.

► *The MODBUS protocol is widely accepted and commonly used throughout the industry. It is supported by a variety of SCADA equipment vendors which eliminates the requirement to develop additional and unique drivers.*

.....

### MDLC

MDLC is a seven layer protocol that conforms to the ISO recommendation for Open System of Interconnection. The protocol is used by the MOSCAD RTUs and is designed for two-way radio use. It is optimized for data transfer between host computers and RTUs on that, and other, communication media.

► *Efficient data transfer, by enabling multiple logical channels on the physical media, permits simultaneous Host-to-RTU, RTU-to-Host, and RTU-to-RTU sessions to minimize the burden on the communication medium.*

.....



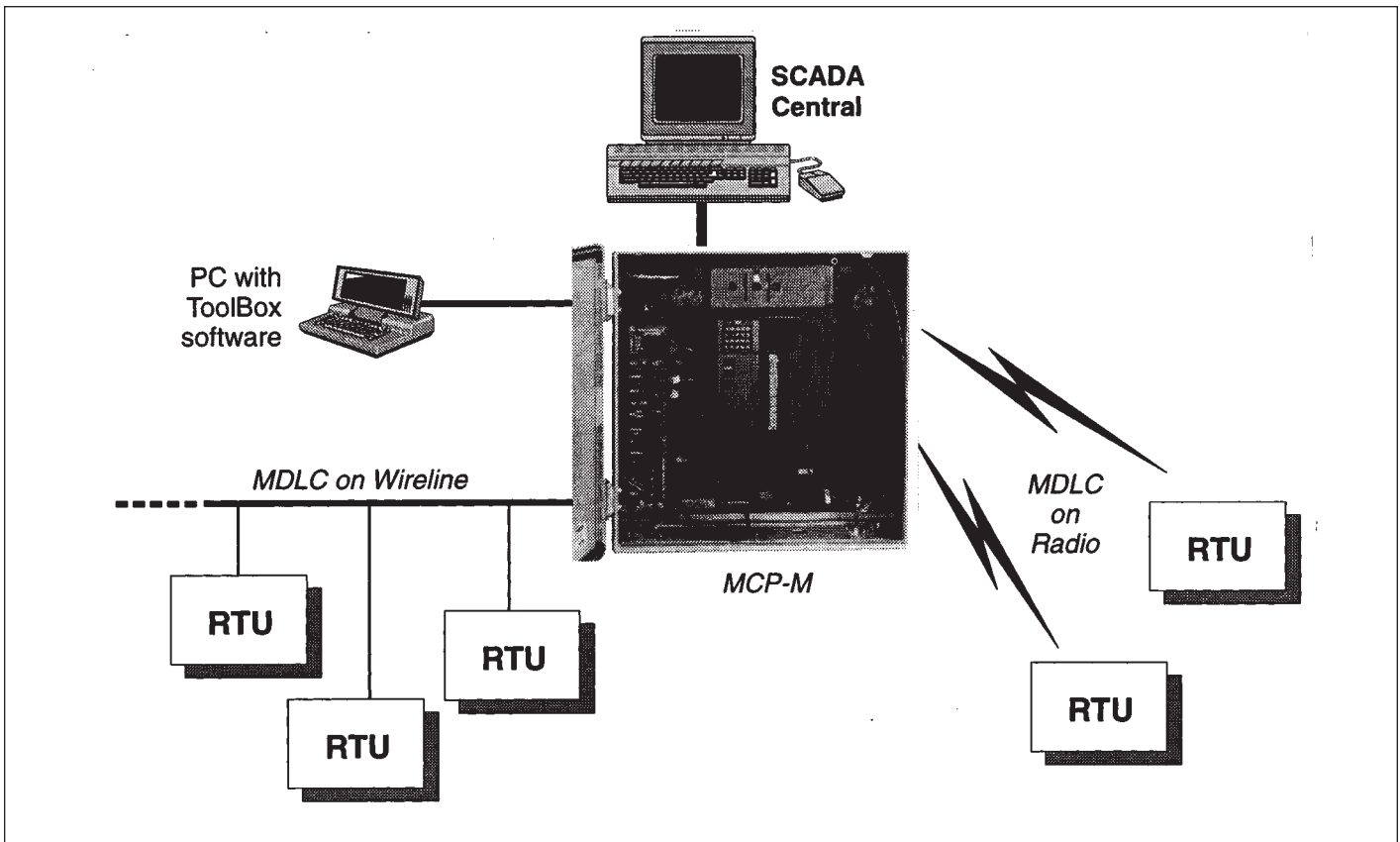
**MOTOROLA**

# MCP-M *Motorola Communication Processor for MODBUS*

## SPECIFICATIONS

GENERAL SPECIFICATIONS	
Order:	F42xx-family (xx denotes radio frequency and power level)
System Size:	Up to 246 RTUs, each with up to 32 Tables of data
CPU:	68LC302; 25 MHz
Memory:	RAM: 1.5 MB; FLASH: 1.28 MB
Ports:	Port 1: RS-232 Async (MODBUS or MDLC) or RS-485 (MDLC) @ up to 19.2 kbps Port 2: RS-232 Async (MODBUS or MDLC) up to 19.2 kbps (up to 9.6 kbps when used with DARCOM modem) Port 3: Radio Communications: DFM @ up to 4.8 kbps or FSK @ up to 2.4 kbps or DPSK @ 1.2 kbps <i>or</i> Wireline Communications: refer to separate Modem description sheet R3-11-93 <i>or</i> RS-232: Async @ up to 19.2 kbps
Indicators:	Power, Reset, Fail, Configuration, Application, Monitor, Error, Low lithium Battery, plus Tx, Rx, and CM for each port
Physical:	Enclosure: Steel: 15 x 15 x 8.25" (38 x 38 x 21 cm): rated NEMA4 Power Supply: Dual: 117 Vac or 230 Vac 50-60 Hz, provides power to modules and radio, charges battery; 12.6 Vdc @ 5A-h battery
Environmental:	Temperature: -30° to +60°C Humidity: 0 to 90% @ +50°C

Specifications subject to change without notice.



### SUPPORT SERVICES

Wherever Motorola sells, our product is backed by service. Our products are serviced throughout the world by a wide network of company or authorized independent distributor service organizations.



Midgårdsvägen 20, S-973 34 LULEÅ  
 Tel: 0920-22 24 10, Fax: 0920-22 24 20  
 E-Mail: [info@vianetab.se](mailto:info@vianetab.se)  
 Gsm: 070-545 14 52, 070-545 17 81



## MOTOROLA

Motorola U.S.A.  
 1301 E. Algonquin Road  
 Schaumburg, Illinois 60196  
 In the U.S. call: 1-800-247-2346

Motorola Canada Limited  
 3900 Victoria Park Avenue  
 North York, Ontario M2H 3H7  
 In Canada call: 1-800-268-5758

Outside the U.S. and Canada call: (847) 538-6602

©, Motorola, and MOSCAD are trademarks of Motorola, Inc. ■ © 1995 Motorola, Inc.  
 ■ Printed in U.S.A. ■ (9807) Merit ■ Produced by Customer Communications.

Motorola is an Equal Employment Opportunity/Affirmative Action Employer